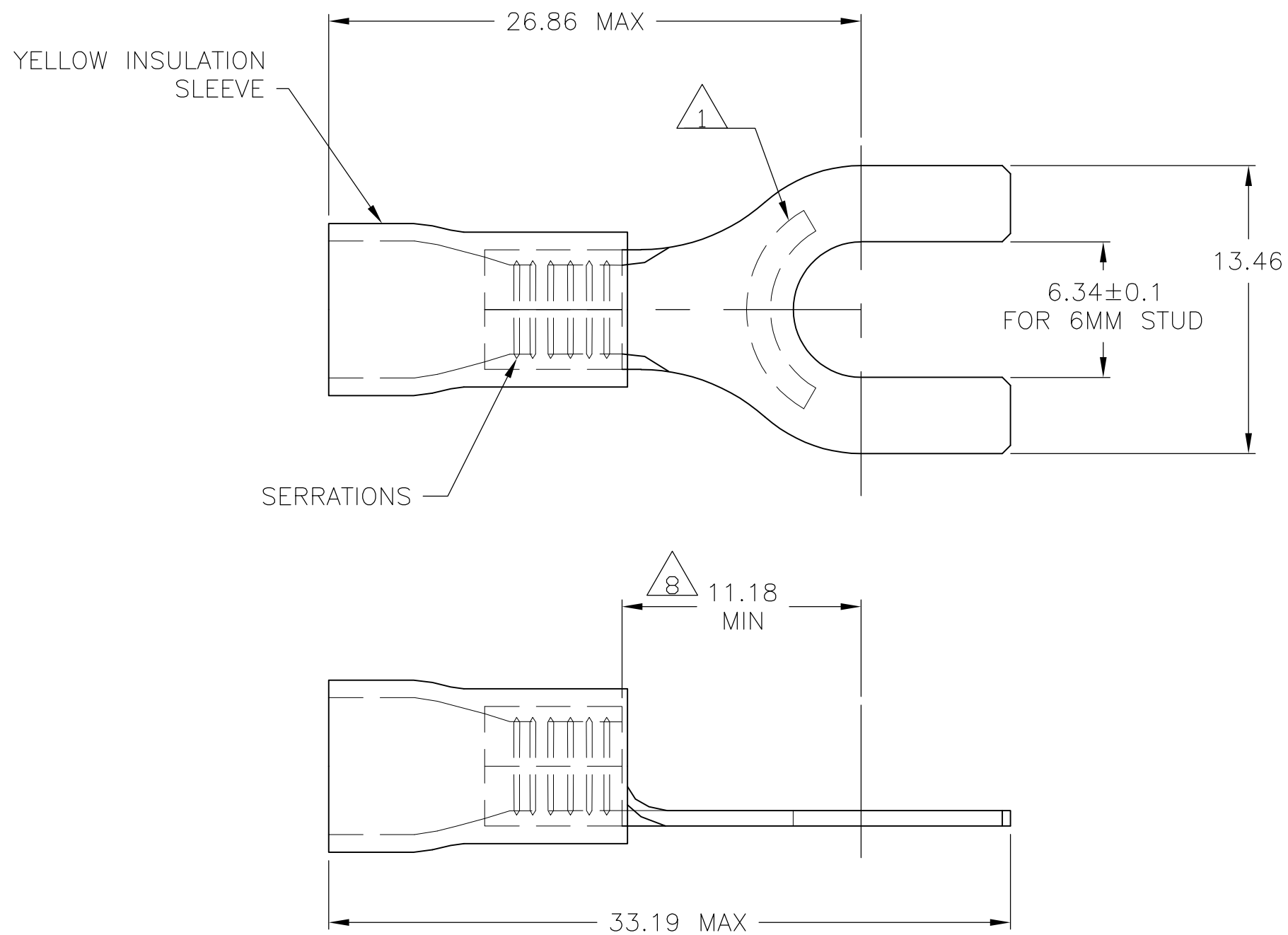


THIS DRAWING IS UNPUBLISHED. RELEASED FOR PUBLICATION
 © COPYRIGHT BY TYCO ELECTRONICS CORPORATION. ALL RIGHTS RESERVED.

LOC	DIST	REVISIONS					
G	86	P	LTR	DESCRIPTION	DATE	DWN	APVD
		B		REV PER ECR 08-028314	18NOV08	JR	TM



- 1 STAMP "AMP 12-10*", LOCATION APPROX AS SHOWN.
- 2 WIRE INSULATION DIA 3.8-6.4
- 3 OPERATING TEMPERATURE 90°C MAX
- 4 VOLTAGE RATING 600V MAX
- 5 CMA 2.62-6.64mm² [5,180-13,100]
- 6 MATERIAL:
BODY - COPPER PER ASTM B-152
INSULATION - PVC
- 7 FINISH:
BODY - TIN PL PER ASTM B-545
INSULATION - COLOR-YELLOW
- 8 APPLIES FROM EDGE OF METAL WIRE BARREL TO CENTER OF STUD HOLE.
- 9 MATERIAL THICKNESS IS 1.00±0.05

165019
PART NO

THIS DRAWING IS A CONTROLLED DOCUMENT.		DWN JRRUTH 16JUN2004	Tyco Electronics Corporation Harrisburg, Pa 17105-3608	
DIMENSIONS: mm		CHK T MICHIELUTTI 16JUN04	NAME RECTANGULAR TONGUE, SPADE TYPE, PLASTI-GRIP	
TOLERANCES UNLESS OTHERWISE SPECIFIED:		APVD T MICHIELUTTI 16JUN04	PRODUCT SPEC -	
0 PLC ± -		APPLICATION SPEC -		
1 PLC ± -		SIZE A3		
2 PLC ± 0.20		CAGE CODE 00779		
3 PLC ± -		DRAWING NO C-165019		
4 PLC ± -		RESTRICTED TO -		
ANGLES ± -		SCALE 4:1		
MATERIAL -		FINISH -		
		SHEET 1 OF 1		
		REV B		
		CUSTOMER DRAWING		